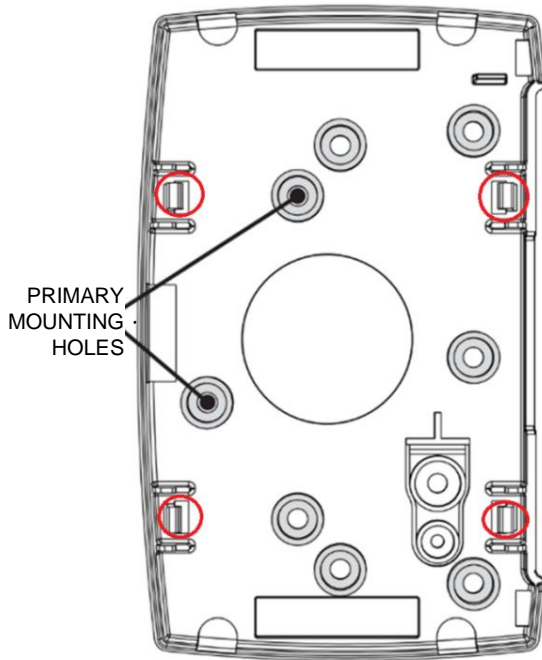


1-DOOR Wi-Fi CONTROLLER INSTALLATION INSTRUCTION



1. MOUNT BACK PLATE

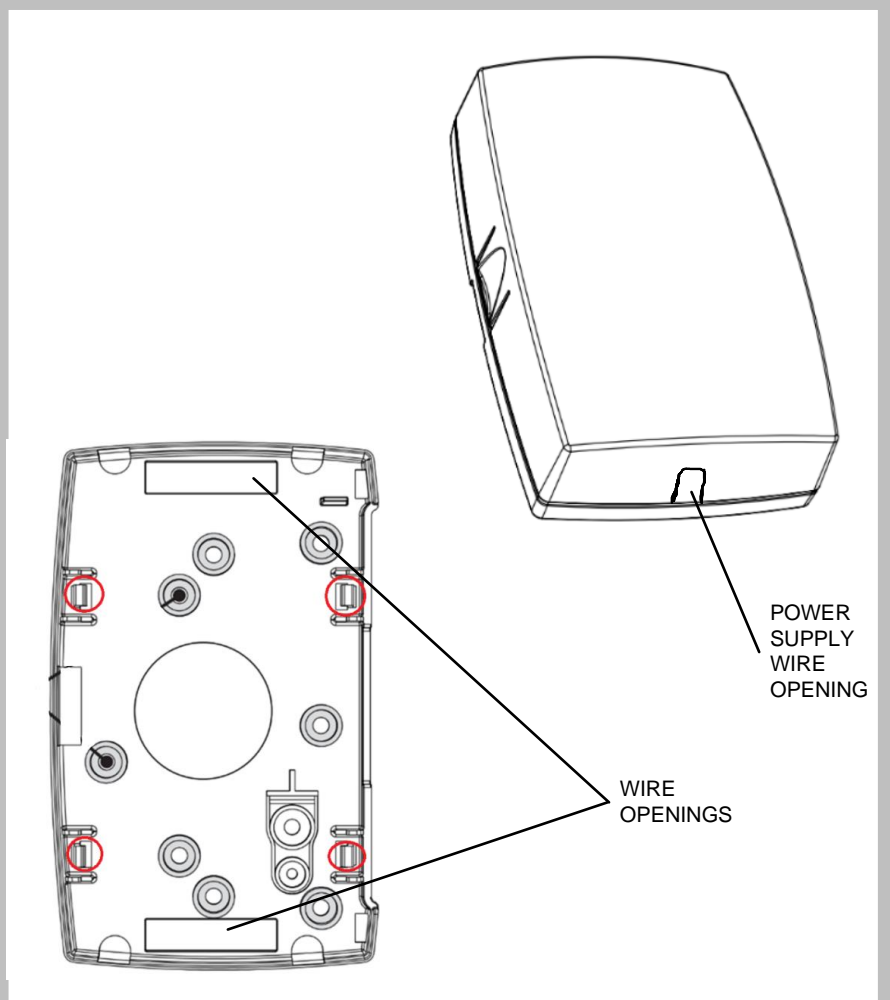


- Remove front cover from controller
- Carefully remove the PCB controller board from the back plate by depressing the small tabs circled in red
- Mount the back plate (in the orientation shown) to the wall in the desired location using the necessary mounting holes

For more information visit: TrueSecurePro.com

2. RE-INSTALL PCB CONTROL BOARD AND RUN WIRING

- Carefully reinstall the PCB controller board under the small tabs circled in red
- Use the indicated wiring openings for reader, lock mechanism and power supply wires

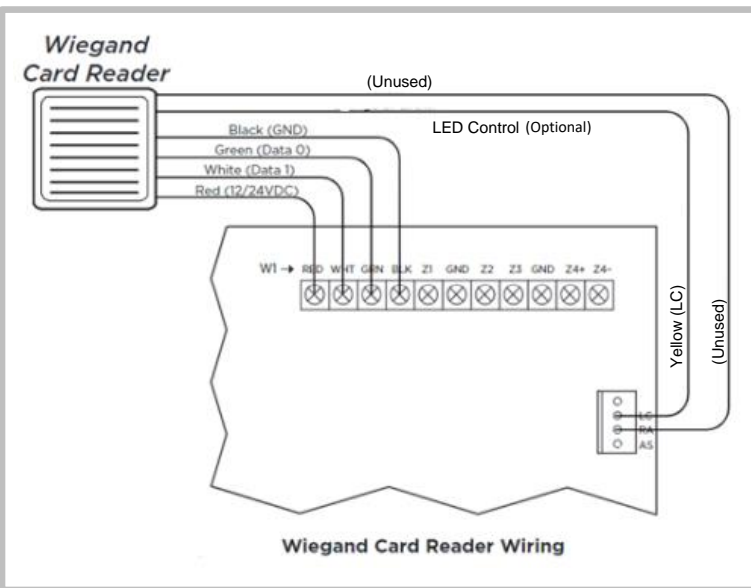


1-DOOR CONTROLLER INSTALLATION INSTRUCTION



3. WIRE CARD READER

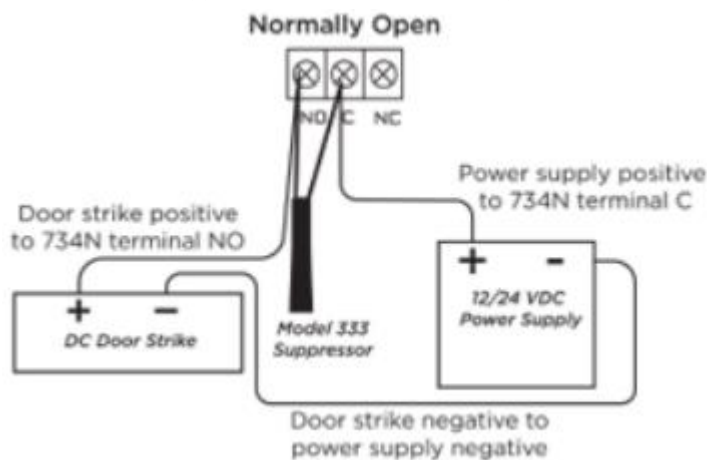
- Connect access reader wiring as shown in diagram



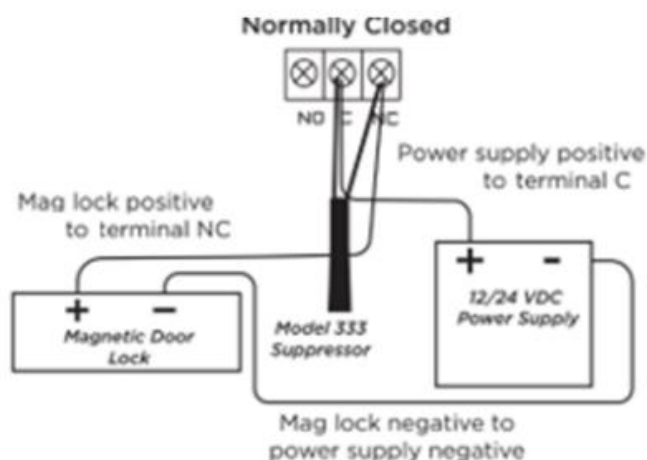
4. WIRE LOCK MECHANISM

- Wire lock mechanism to be controlled in normally open or normally closed configuration as needed (including supplied suppressor)
- If wiring door status connections:
 - Connect Door Position Sensor to Z1 and Ground
 - Connect Request To Exit to Z2 and Ground (Normally Closed switch required)

Typical Door Strike Wiring



Typical Magnetic Lock Wiring



5. POWER UP AND CONNECT TO WIFI

- Wire 12V DC power supply to DC input terminals
- Supply power to turn on the controller and reader
- With a mobile device, connect and configure the 1-Door controller to your Wi-Fi and access control software account using the TrueSecure Lock Manager app